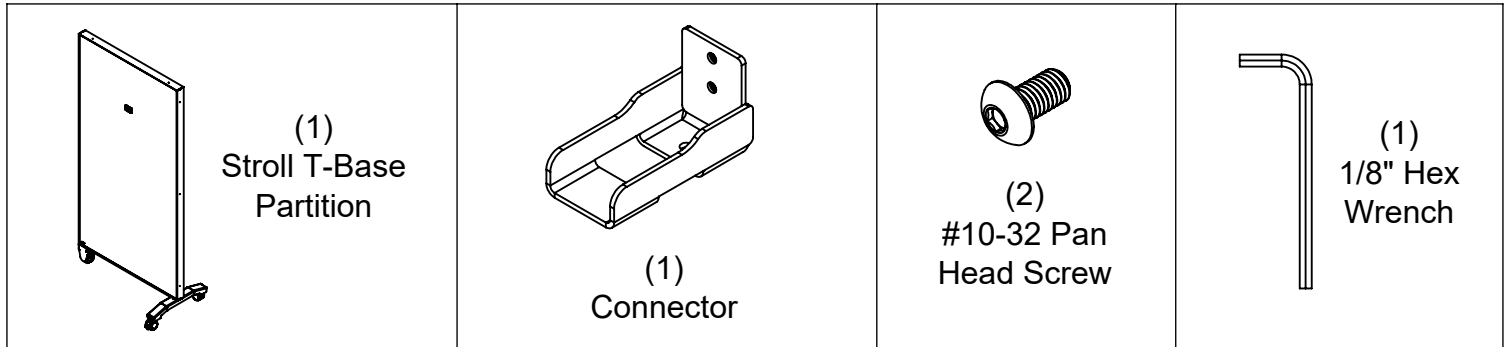


Stroll T-Base Glass Partition / STGXXXX

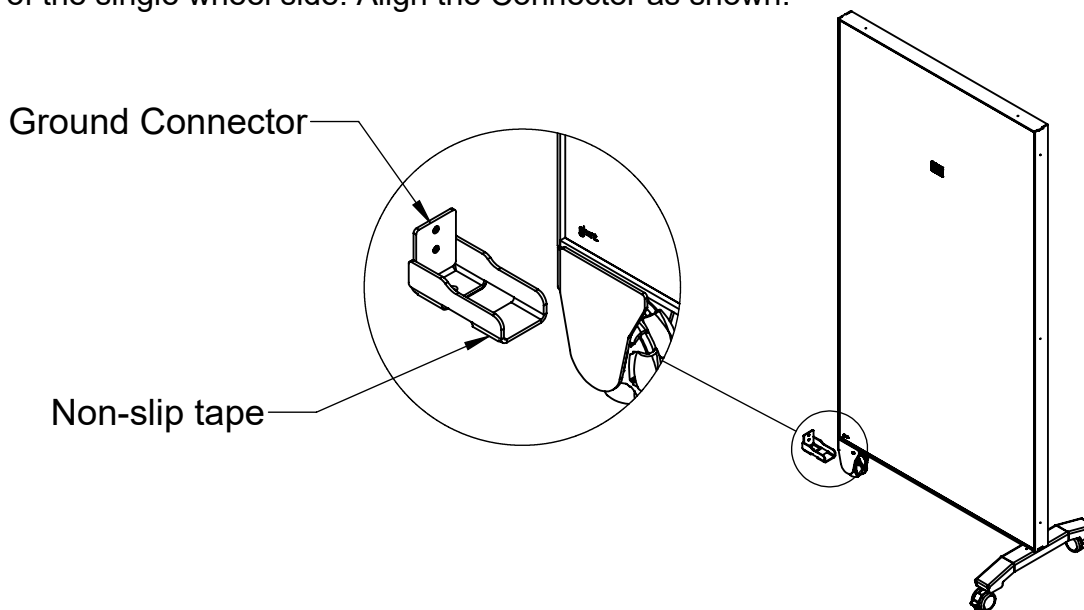
Product Installation Instructions



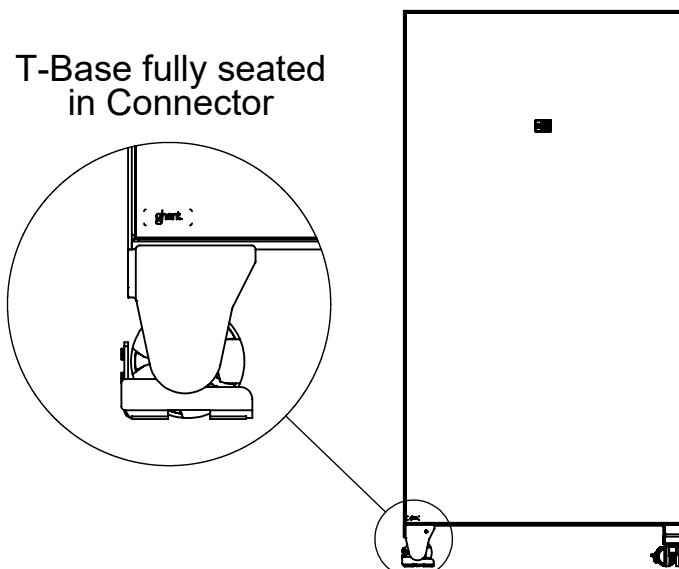
Step 1: Remove and unpack the Stroll T-Base unit, Ground Connector, and Hardware.



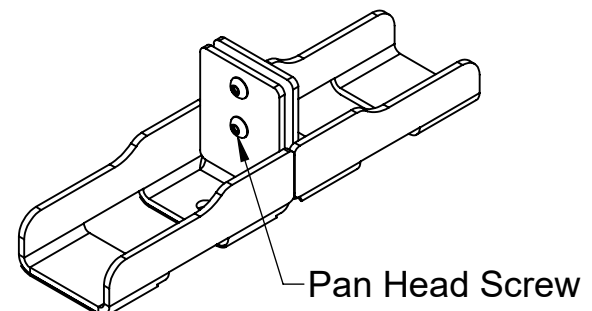
Step 2: After selecting a location for the Stroll T-Base partition place the Connector onto the ground in front of the single wheel side. Align the Connector as shown.



Step 3: Carefully roll the Stroll T-Base unit onto the Connector as shown. Please note for safe use the Stroll T-Base unit should always be docked in the Connector when in use.



Step 4: (Optional) Create a partition wall by attaching two Ground Connectors together with the Pan Head Screws.

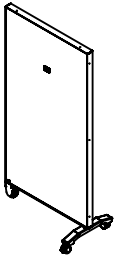
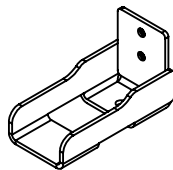


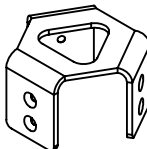
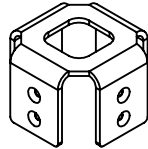


Stroll T-Base Glass Partition / STG-CONN-XXX

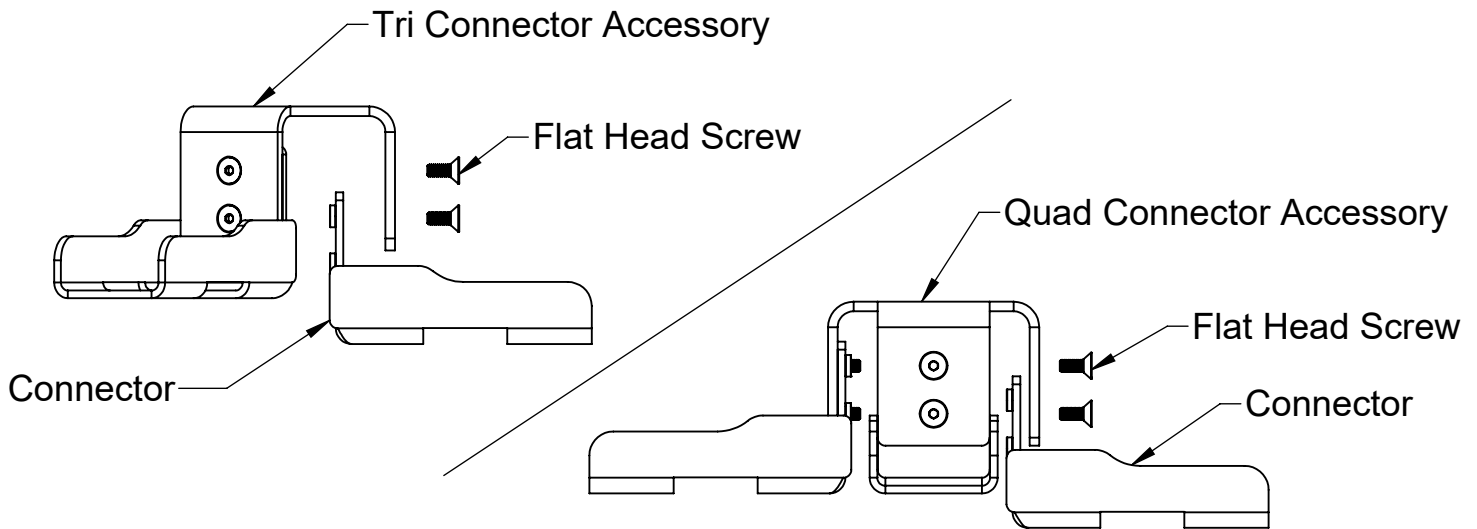
Accessory Installation Instructions



Step 1: Remove and unpack the Stroll T-Base unit, Ground Connector, and Hardware.

 <p>Stroll T-Base Partition</p>	 <p>Connector</p>	 <p>(6-8) #10-32 Flat Head Screw</p>	 <p>(1) 1/8" Hex Wrench</p>
 <p>(1) Tri Connector Accessory</p>	 <p>(1) Quad Connector Accessory</p>		

Step 2: Using two Flat Head Screws install one Connector onto the Connector Accessory as shown. Repeat this step until all Connectors are attached.



Step 3: Place the assembled Connector onto the ground. Then carefully dock the Stroll T-Base unit onto the assembled Tri or Quad Connector as shown. Please note for safe use the Stroll T-Base unit should always be docked in the Connector when in use.

T-Base fully seated in assembled Connector

