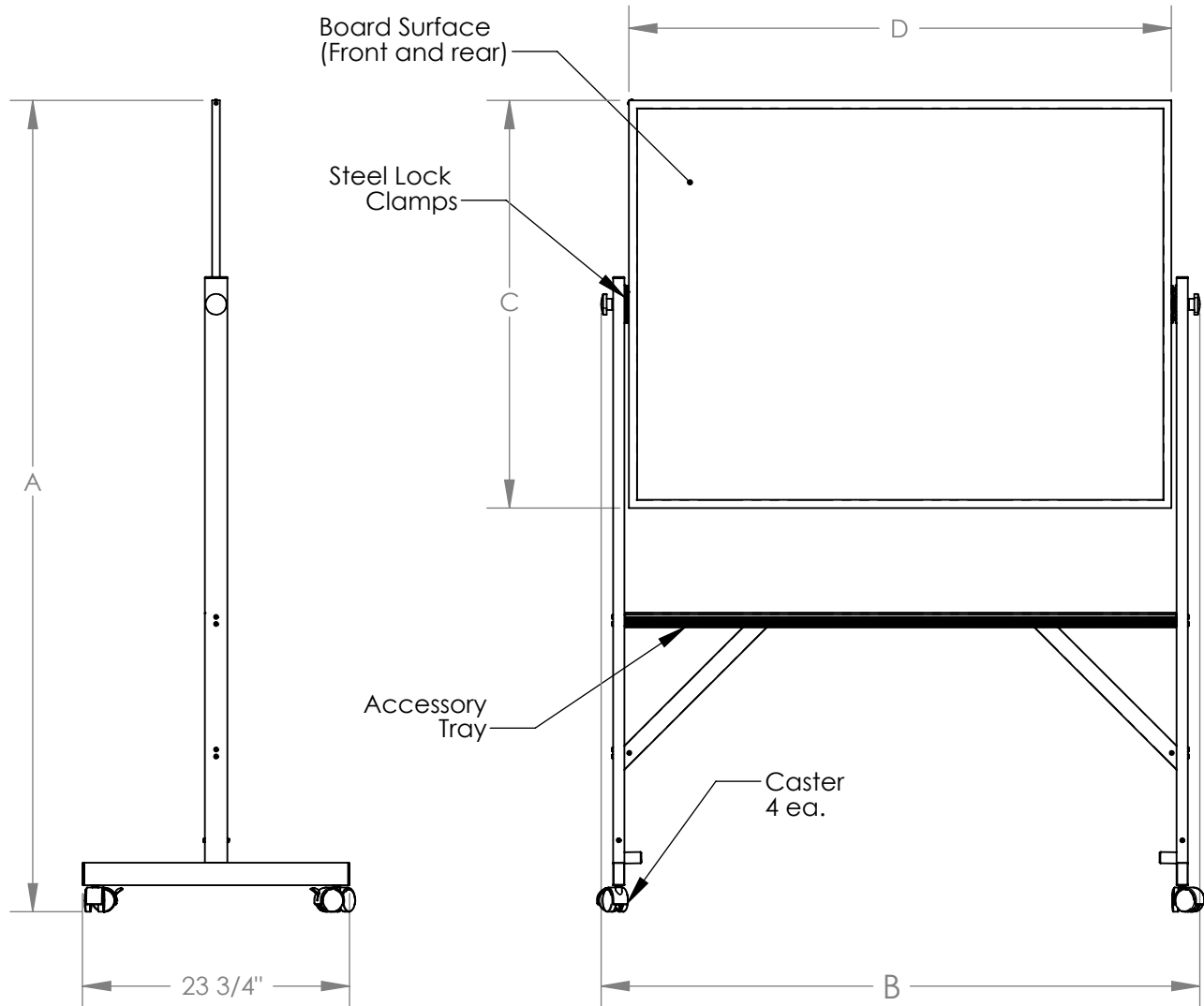


AR Series (M1)

Aluminum Framed Reversible Boards



Materials:

- Framework: Satin anodized aluminum extrusion.
- Board surfaces: White porcelain coated 28 gage steel laminated to 3/8" thick fiberboard.
Tack board - natural cork applied to 3/8" fiberboard
- Swivel casters are black thermoplastic with wheel locks.

Features:

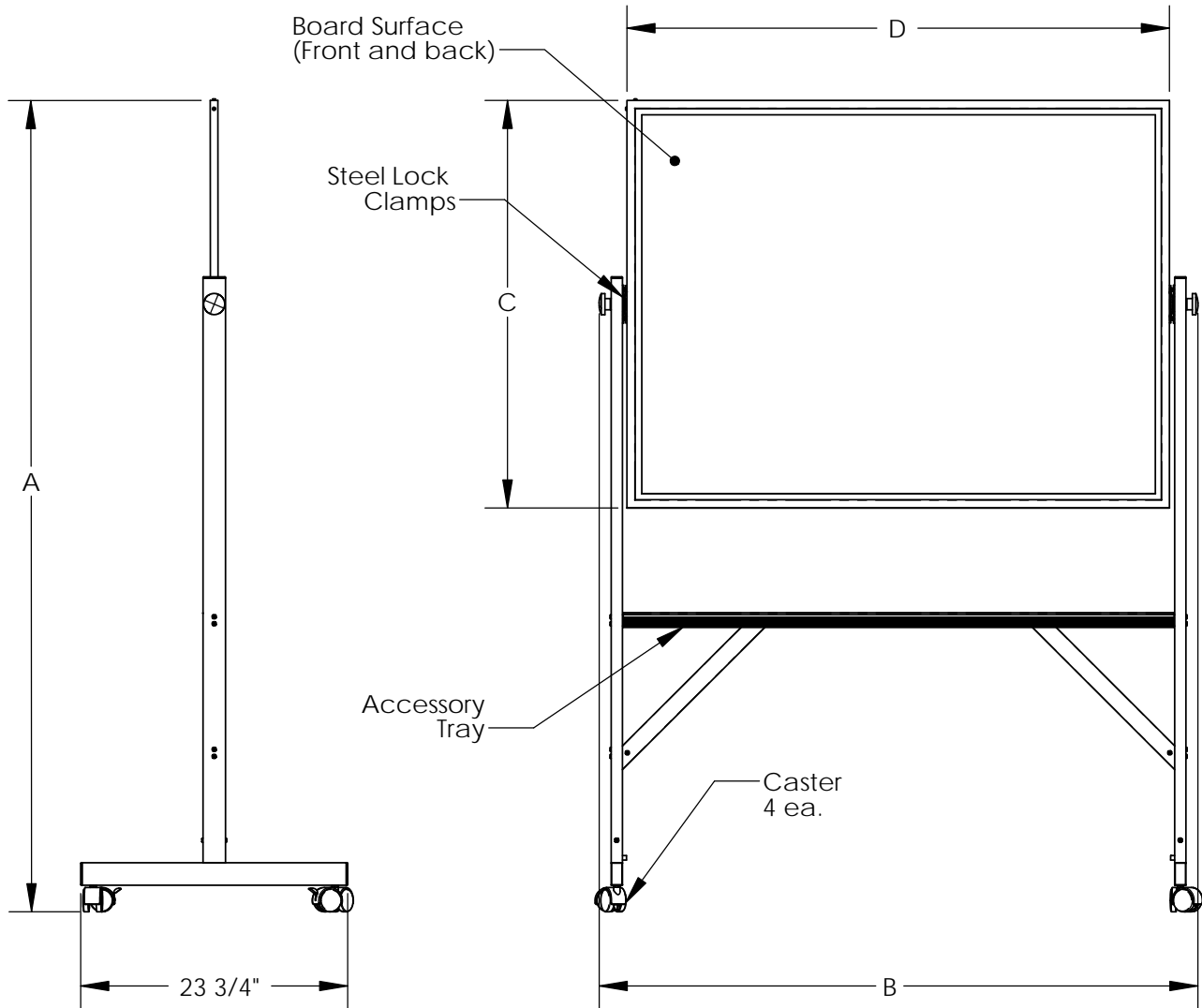
- Available in two board sizes: 36"H x 48"W, 48"H x 72"W, and 48"H x 96"W
- Board surfaces combinations available: whiteboard/whiteboard or whiteboard/cork

Notes:

- Indoor use only

ITEM NUMBER	A	B	C	D
ARM1M134 and ARM1K34	72-1/8"	53-1/4"	36-1/4"	48-1/4"
ARM1M146 and ARM1K46	78-1/8"	77-1/4"	48-1/4"	72-1/4"
ARM1M148	78-1/8"	101-1/4"	48-1/4"	96-1/4"

AR Series Aluminum Framed Reversible Boards



Materials:

- Framework: Satin anodized aluminum extrusion.
- Board surfaces: Whiteboard - white enamel applied to 1/8" hardboard.
Chalk board - green carborundum slating applied to 1/8" hardboard.
Tack board - natural cork applied to 3/8" fiberboard
- Swivel casters are black thermoplastic with wheel locks.

Features:

- Available in two board sizes: 36"H x 48"W and 48"H x 72"W
- Board surfaces combinations available: chalk/chalk, chalk/cork, whiteboard/chalk, whiteboard/whiteboard, whiteboard/cork, and cork/cork

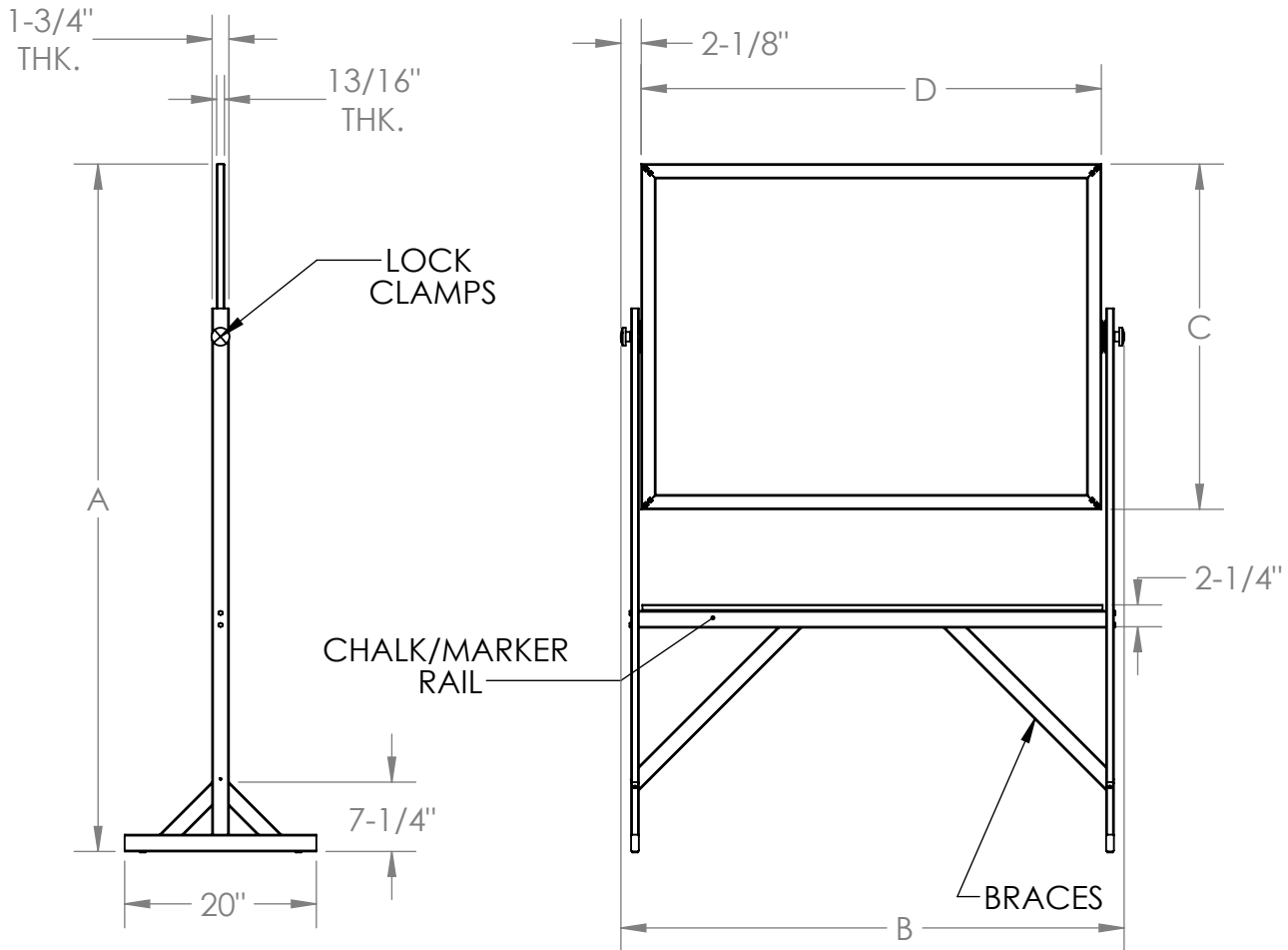
Notes:

- All board surfaces are non-magnetic (Magnetic porcelain writing surfaces are available as a special - order custom item)
- Indoor use only

ITEM NUMBER	A	B	C	D
ARCC34, ARCK34, ARMC34, ARMM34, ARMK34, ARKK34	72-1/8"	53-1/4"	36-1/4"	48-1/4"
ARCC46, ARCK46, ARMC46, ARMM46, ARMK46, ARKK46	78-1/8"	77-1/4"	48-1/4"	72-1/4"

REVERSIBLE BOARDS

WOOD FRAMED



MATERIALS:

- Framework: Clear-coated oak
- Board Surfaces: 1/8" whiteboard, 1/8" chalkboard, and natural cork

FEATURES:

- Available in two board sizes: 36"H X 48"W and 48"H X 72"W
- Board surface combinations available: whiteboard / whiteboard, whiteboard / tackboard, tackboard / tackboard, whiteboard / chalkboard.

NOTES:

- Framing permanently attached to board surface.
- Strong steel lock clamps adjust to secure the board in place.
- Each unit includes a full chalk/marker tray and reinforced bracing for reduced swaying.
- All board surfaces are non-magnetic.
- Casters are optional.
- Indoor use only.

ITEM #	A	B	C	D
RKK34, RMK34, RMM34, RMC34-G, RMC34-B	71-3/4"	52-1/2"	36"	48"
RKK46, RMK46, RMM46, RMC46-G, RMC46-B	77-3/4"	76-1/2"	48"	72"