

Installation Instructions



STEP 1: Surface Prep: Clean the surface of the board to be covered. Make sure to remove all dust, rough spots, as well as panel dividers. Ensure board to be covered is secure to the wall and any loose areas are securely fastened to the wall.

STEP 2: Apply contact cement. Keeping the hardboard sheeting taped to the porcelain skin, apply contact cement to the existing board and the back side of the new porcelain skin using a roller (see Fig. 1) following the package instructions. Contact cement should also be applied to the taped areas. Attached hardboard sheeting acts as an installation tool to ease lifting and placement of porcelain skin.

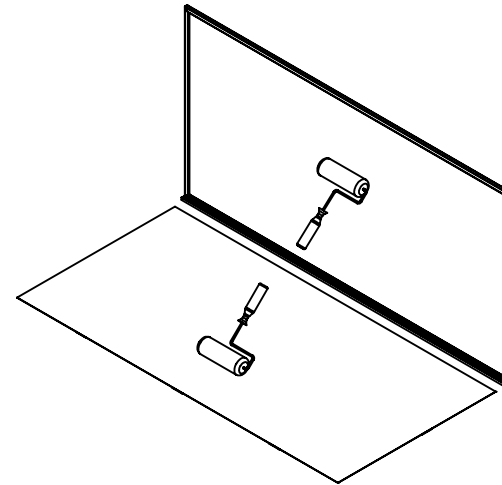
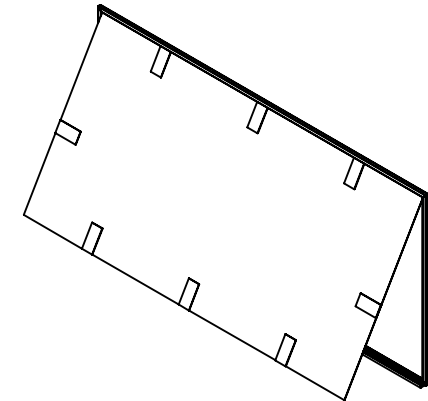


Fig. 1

Ghent recommends using *DAP Weldwood Original Contact Cement* or equivalent.

STEP 3: Apply porcelain skin to existing board. Align porcelain skin with the existing board (see Fig. 2) and apply even pressure over the surface to ensure adhesion. Starting with the center of the panel and moving out to the edges, use a linoleum roller to press firmly over the entire surface of the porcelain skin (see Fig. 3).

Fig. 2



Once the porcelain skin has been firmly set in place, remove the hardboard sheeting by carefully cutting the tape strips, trimming as close to the surface as possible.

STEP 4: Remove protective film. Ghent recommends waiting 72 hours before removing the protective film and using your new porcelain board. Before writing on the board, be sure to follow the board cleaning and care instructions.

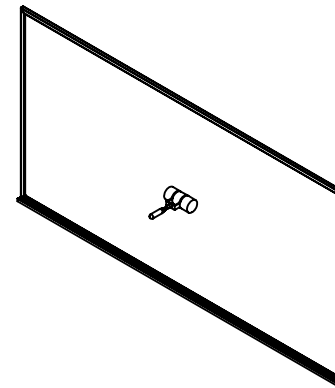


Fig. 3