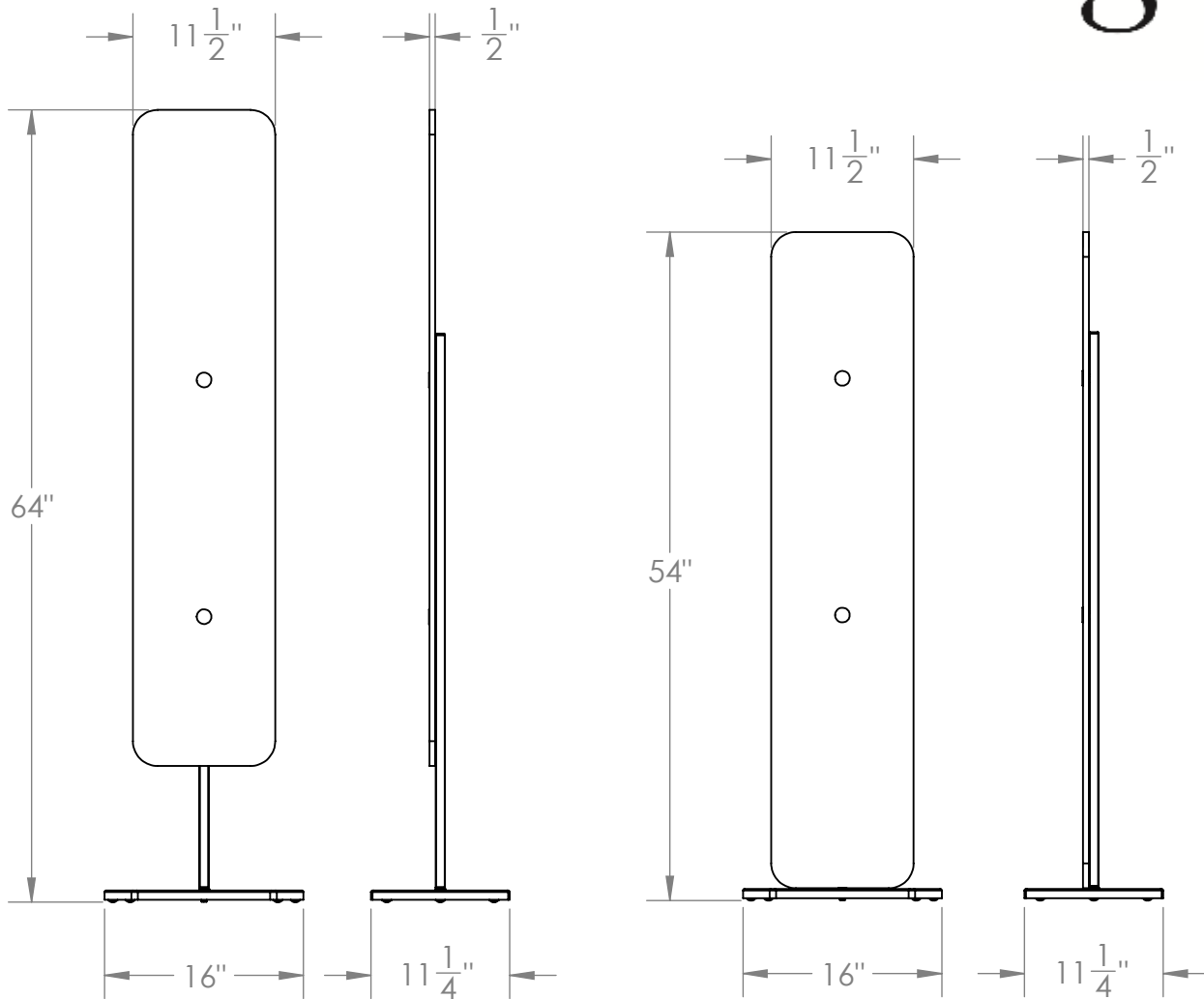


Reed Partition / RDXXXX

Product Specifications



64" Tall Assembly

54" Tall Assembly

Materials:

- Panel: PET acoustic board. See ghent.com/finishes for the current color selections.
- Rail: Black anodized aluminum.
- Base: Black thermofoil wrapped wood particle board. Adhesive backed glides attached underneath the base.
- Panel Buttons: Powder coat ultra thin thumb screws.

Features:

- Unit height can be changed without a tool.
- Curved base self aligns sets of units.
- Swiveling panels allow for unlimited arrangement of sightlines.
- PET acoustic board (12mm) conforms to ASTM-E84-14 testing standards, meeting a Class A rating for flame spread.
- Glides come standard on each unit and allow easy reconfiguration.
- Warranty: 10 Year

Notes:

- Ships disassembled, can be assembled in less than five minutes using a single tool (provided).

Reed Partition / RDXXXX

Product Specifications



Part Numbers	Panel Colors	Panel Height	Panel Width	Unit Heights
RDS1DC6412ASH21-X	Ash	53"	11-1/2"	54" or 64"
RDS1DC6412BSH21-X	Blush	53"	11-1/2"	54" or 64"
RDS1DC6412LIM21-X	Lime	53"	11-1/2"	54" or 64"
RDS1DC6412NVY21-X	Navy	53"	11-1/2"	54" or 64"
RDS1DC6412ORG21-X	Orange	53"	11-1/2"	54" or 64"
RDS1DC6412SIL21-X	Silver	53"	11-1/2"	54" or 64"
RDS1DC6412YLW21-X	Yellow	53"	11-1/2"	54" or 64"

Example Layouts:

