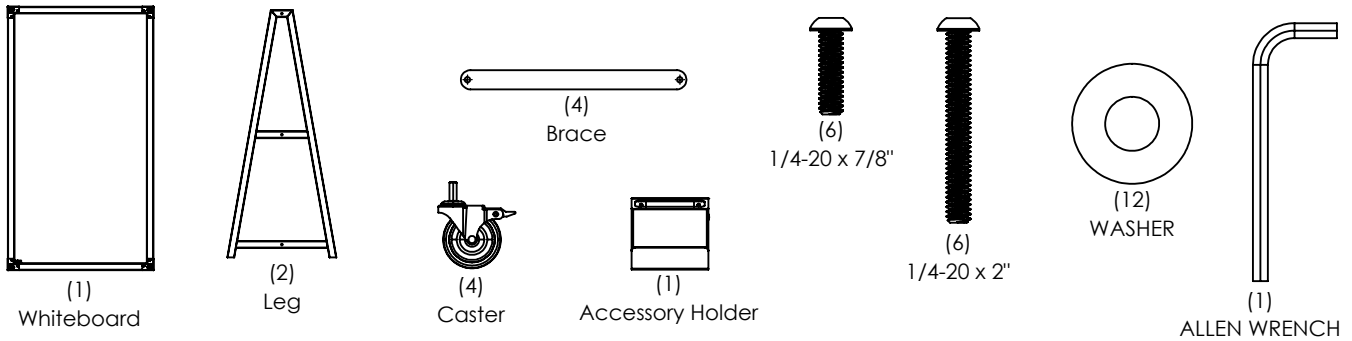


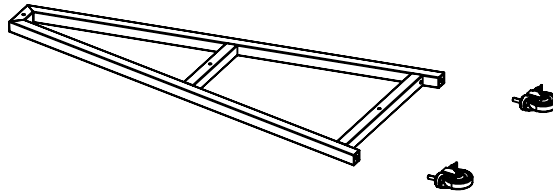
# Prest Mobile Whiteboard

## Instruction Sheet

**Step 1:** Remove and unpack the legs, casters, braces, and hardware kit from the packaging, leaving the whiteboard intact inside the box.



**Step 2:** Install the casters on the legs.

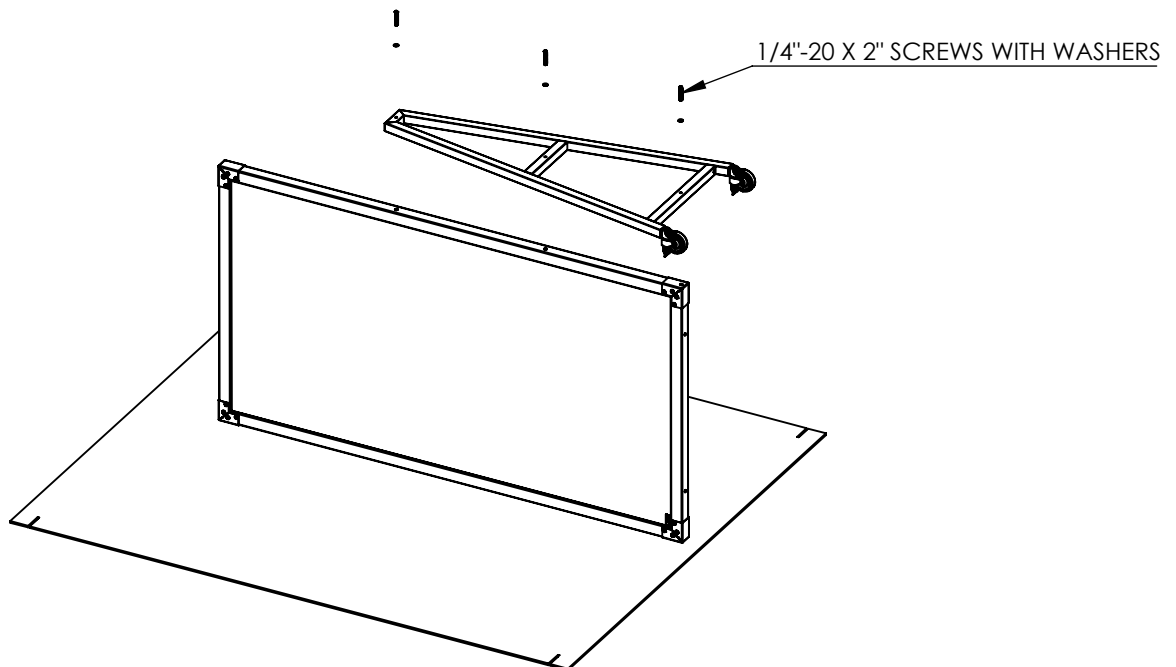


**Step 3:** Install the leg on one side of the whiteboard.

3a. Use the cardboard as a protective work area as you place the whiteboard on its side

3b. Align the legs with the pre-drilled holes on the frame.

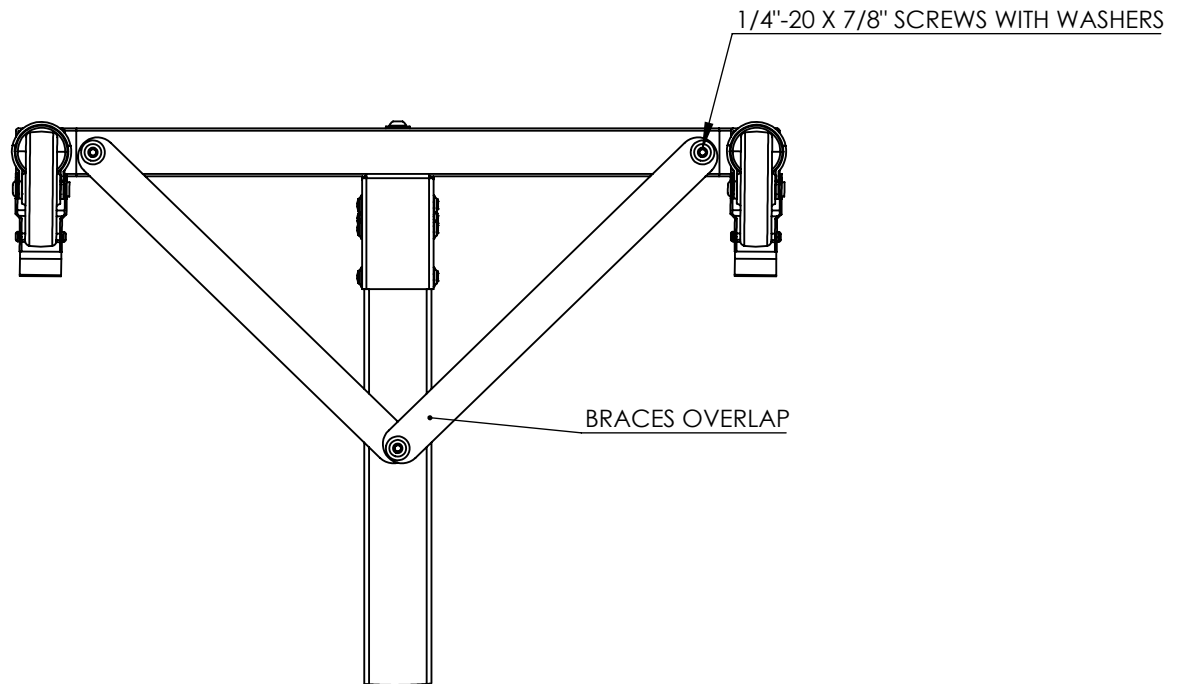
3c. Use the screws with washers to attach the legs to the frame, hand tighten with provided allen wrench.



**Step 4:** Install the braces.

4a. Use the screws with washers to attach braces.

4b. Re-tighten all screws with provided wrench.



**Step 5:** Repeat steps 3 and 4 for the opposite side.

**Step 6:** Stand the unit upright and attach the accessory holder using the provided magnets.

**Step 7:** Recycle all packaging materials in accordance to local regulations.