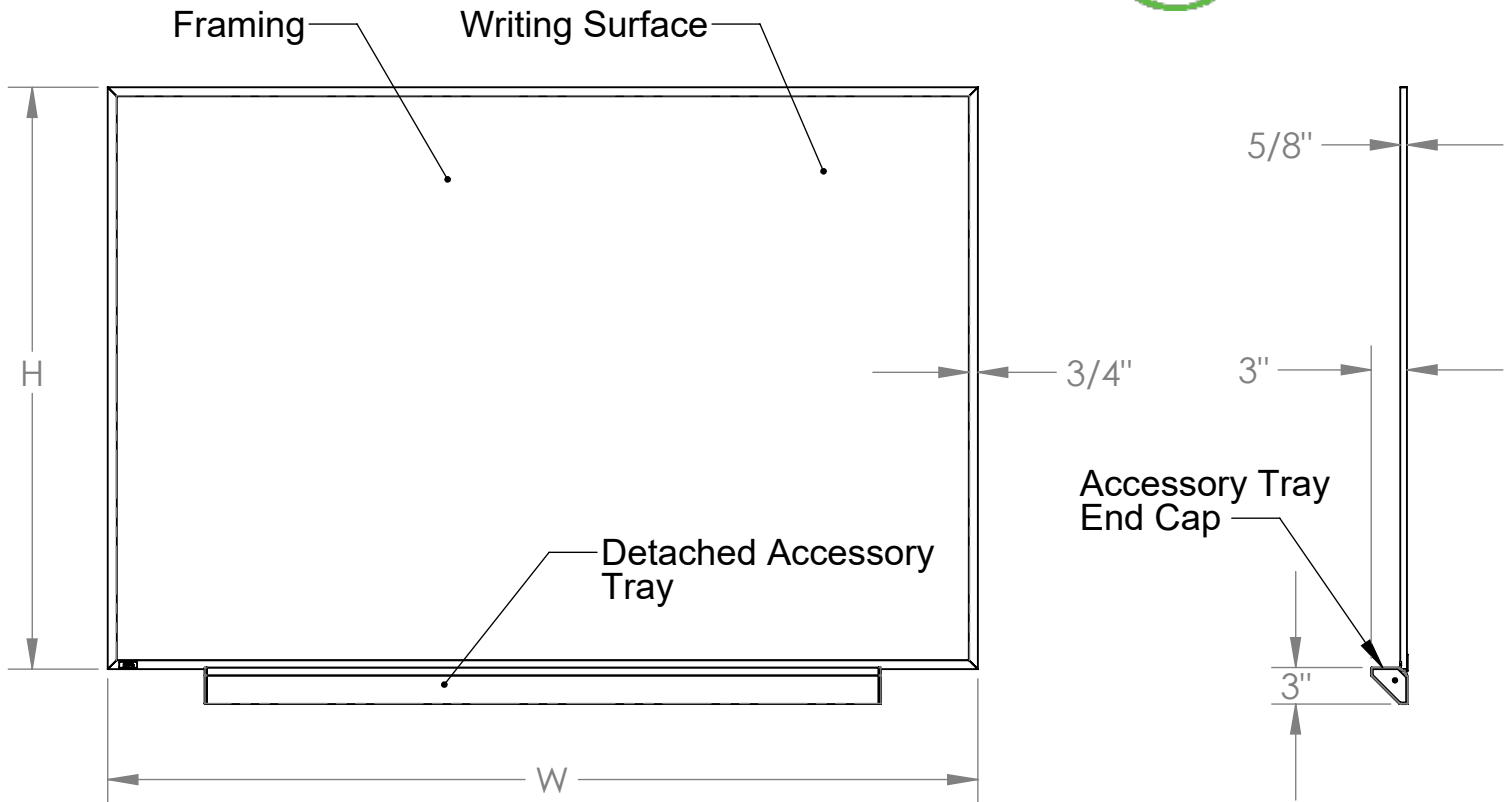


A2M Series

Aluminum Framed Porcelain Whiteboards



Materials:

- Framing and detached accessory tray: Satin anodized aluminum extrusion
- Writing surface: White porcelain coated 28 gauge steel laminated to 3/8" thick fiberboard, with an aluminum plated polyester film backing.
- Detached accessory tray end caps: Gray thermoplastic.

Features:

- Porcelain surface is inherently magnetic.
- Ghent "L" hangers are included.
- An eraser and black marker are included with each board.
- Available in the following sizes:
- Board is guaranteed 50 years.
- Made in the USA

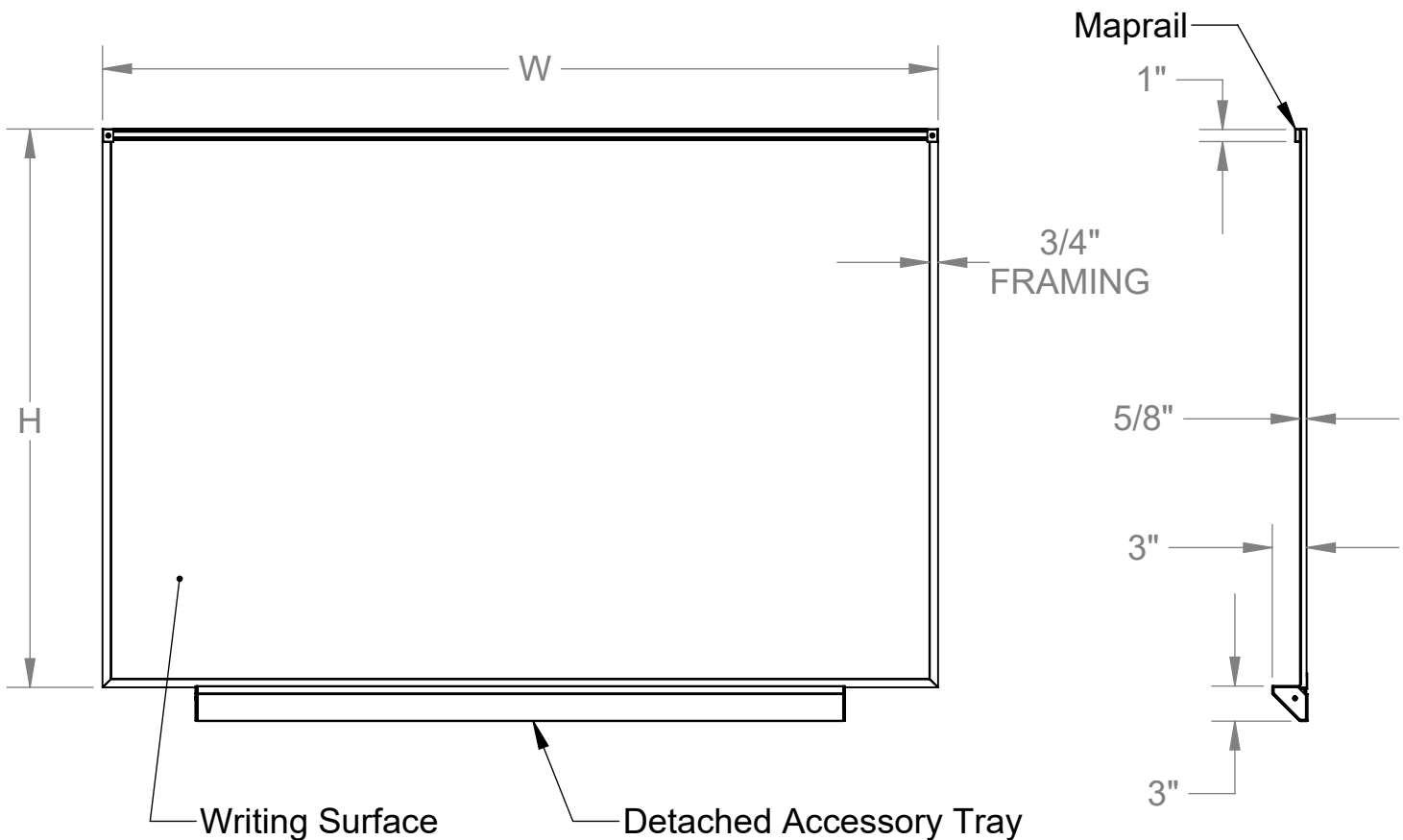
Notes:

- Wall mounting fasteners are not included
- For indoor use only.
- *Board constructed of two panels with a white middle divider strip.
- Not intended for projection. For projection, Ghent's Proma and M1P series are recommended.

Part Number	H	W
A2M44	48-15/32"	48-15/32"
A2M46	48-15/32"	72-1/2"
A2M47	48-15/32"	87-29/32"
A2M48	48-15/32"	96-17/32"
A2M410	48-15/32"	120-19/32"
A2M412	48-15/32"	144-19/32"
A2M416*	48-15/32"	192-19/32"

A2M-M Series

Aluminum Framed Porcelain Whiteboards with Maprail



Materials:

- Framing, maprail track, and detached accessory tray: Satin anodized aluminum extrusion
- Writing surface: White porcelain coated 28 gauge steel laminated to 3/8" thick fiberboard with an aluminum plated polyester film backing.
- Maprail strip: Natural cork
- Detached accessory tray end caps: Gray thermoplastic.

Features:

- Porcelain surface is inherently magnetic.
- Ghent "L" hangers are included.
- An eraser and black marker are included with each board.
- Board is guaranteed 50 years.
- Made in the USA.

Notes:

- Wall mounted fasteners are not included
- For indoor use only.
- * Board constructed of two panels with a white middle divider strip.
- Not intended for projection. For projection, Ghent's Proma and M1P series are recommended.

Part Number	H	W
A2M44-M	48-15/32"	48-15/32"
A2M46-M	48-15/32"	72-1/2"
A2M47-M	48-15/32"	87-29/32"
A2M48-M	48-15/32"	96-17/32"
A2M410-M	48-15/32"	120-19/32"
A2M412-M	48-15/32"	144-19/32"
A2M416-M*	48-15/32"	192-19/32"