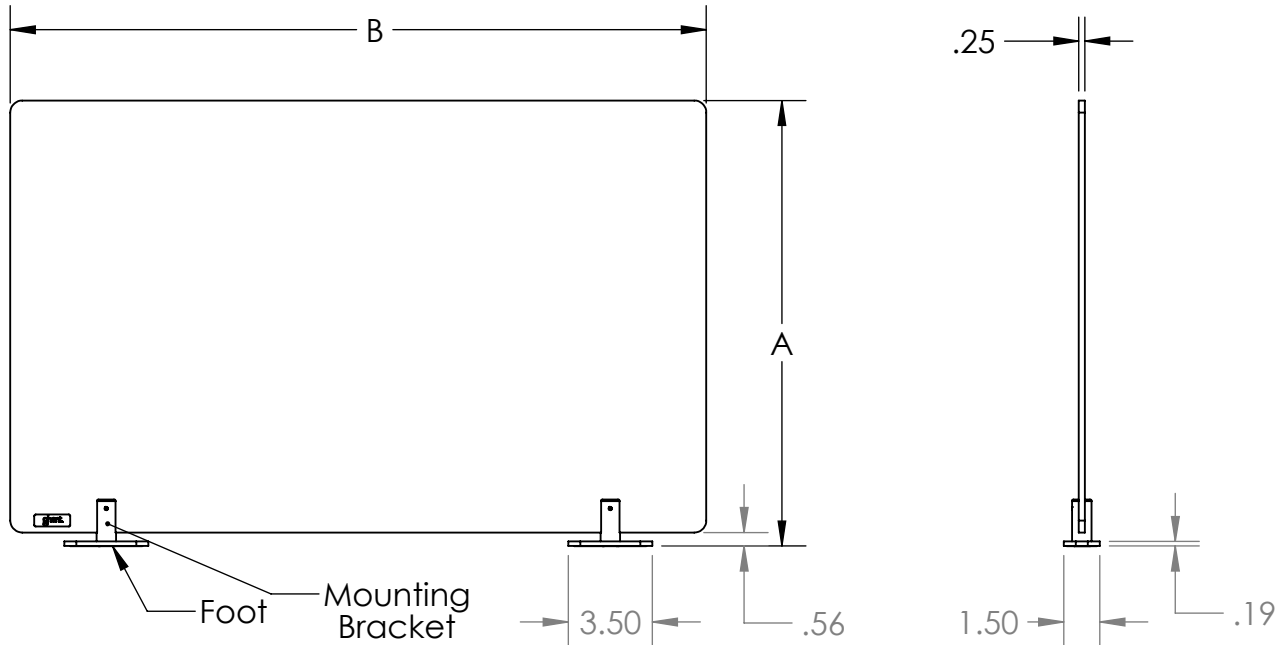


# Partition Extender / PEXXXXX-T Adhesive Unit

Product Specifications



## Materials:

- Panel surface: 1/4" thick clear or frosted acrylic.
- Mounting Brackets: Satin anodized aluminum.
- Feet: 3/16" Stainless Steel

## Features:

- Mounting feet can be positioned to accommodate obstructions on panels.
- Mounted 3M VHB Tape.
- Warranty 1 year.
- Not recommended for curve top partitions.

## Notes:

- Customer to attach mounting feet, wrench provided.

# Partition Extender / PEXXXXX-T Adhesive Unit

Product Specifications



PART NUMBER	A	B	FINISH
PEC1824-T	18-1/16"	23-1/2"	CLEAR
PEC1829-T	18-1/16"	29"	CLEAR
PEC1836-T	18-1/16"	36"	CLEAR
PEC1842-T	18-1/16"	42"	CLEAR
PEC1848-T	18-1/16"	47-1/2"	CLEAR
PEC1859-T	18-1/16"	59"	CLEAR
PEC2424-T	24-1/16"	23-1/2"	CLEAR
PEC2429-T	24-1/16"	29"	CLEAR
PEC2436-T	24-1/16"	36"	CLEAR
PEC2442-T	24-1/16"	42"	CLEAR
PEC2448-T	24-1/16"	47-1/2"	CLEAR
PEC2459-T	24-1/16"	59"	CLEAR
PEC3024-T	30-1/16"	23-1/2"	CLEAR
PEC3029-T	30-1/16"	29"	CLEAR
PEC3036-T	30-1/16"	36"	CLEAR
PEC3042-T	30-1/16"	42"	CLEAR
PEC3048-T	30-1/16"	47-1/2"	CLEAR
PEC3059-T	30-1/16"	59"	CLEAR
PEF1824-T	18-1/16"	23-1/2"	FROSTED
PEF1829-T	18-1/16"	29"	FROSTED
PEF1836-T	18-1/16"	36"	FROSTED
PEF1842-T	18-1/16"	42"	FROSTED
PEF1848-T	18-1/16"	47-1/2"	FROSTED
PEF1859-T	18-1/16"	59"	FROSTED
PEF2424-T	24-1/16"	23-1/2"	FROSTED
PEF2429-T	24-1/16"	29"	FROSTED
PEF2436-T	24-1/16"	36"	FROSTED
PEF2442-T	24-1/16"	42"	FROSTED
PEF2448-T	24-1/16"	47-1/2"	FROSTED
PEF2459-T	24-1/16"	59"	FROSTED
PEF3024-T	30-1/16"	23-1/2"	FROSTED
PEF3029-T	30-1/16"	29"	FROSTED
PEF3036-T	30-1/16"	36"	FROSTED
PEF3042-T	30-1/16"	42"	FROSTED
PEF3048-T	30-1/16"	47-1/2"	FROSTED
PEF3059-T	30-1/16"	59"	FROSTED