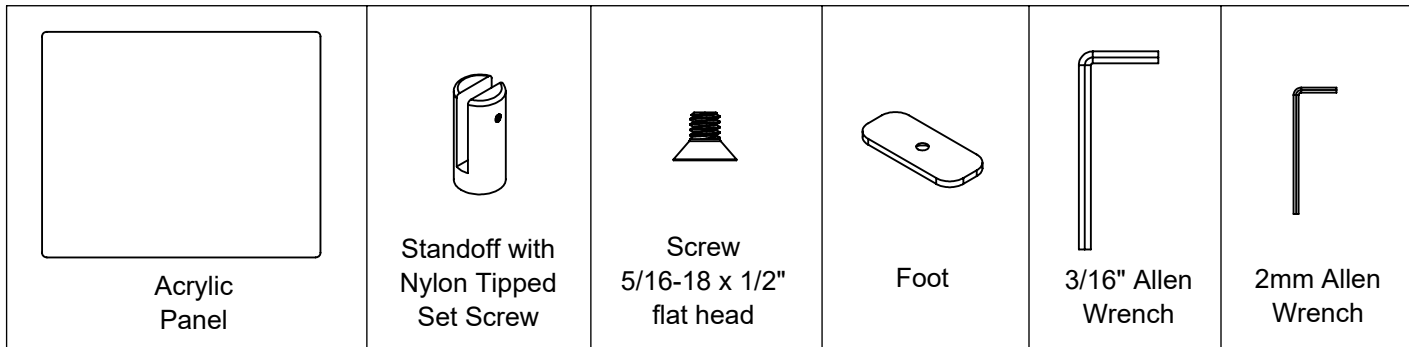


Partition Extender / PEXXXXX-T Adhesive Unit

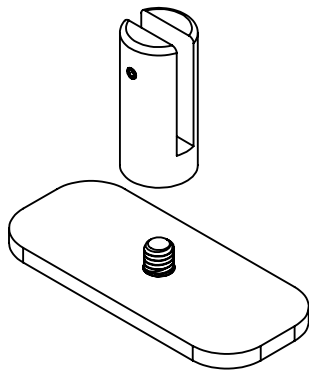
Installation Instructions

Step 1: Remove and unpack the Acrylic Panel, Brackets, and Hardware.

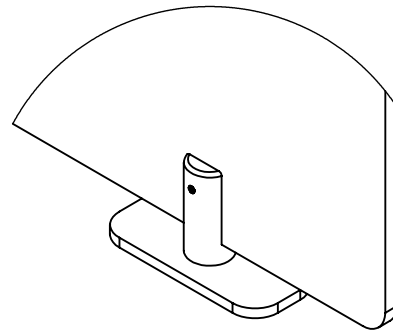


Note: Custom sizes with panel width larger than 72" will receive 4 sets of brackets. Standard sizes with panel width larger than 48" will receive 3 sets of brackets, all smaller sizes will receive 2 sets.

Step 2: Assemble all Standoffs and Feet together using the 5/16-18 x 12" flat head screw.

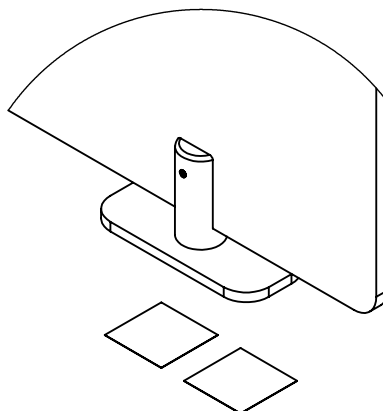


Step 3: Slide the Acrylic Panel into the Standoffs. Secure the Acrylic Panel by tightening the set screws in the Standoff with the provided Allen Wrench.



Step 4: Clean the mounting surface with isopropyl alcohol or similar to remove all dust, dirt, or debris

Step 5: Remove the liner on the tape (located on the bottom of the Foot) and secure to the top of the desk/table using firm pressure.



Step 6: Recycle all packaging in accordance to local regulations.