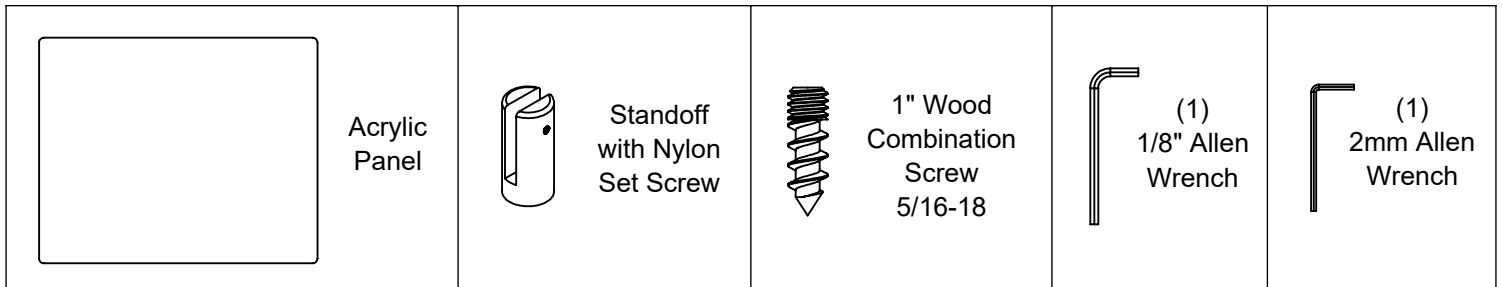


Partition Extender / PEXXXXX-H Hardmounted Unit

Installation Instructions



Step 1: Remove and unpack the Acrylic Panel, Brackets, and Hardware.



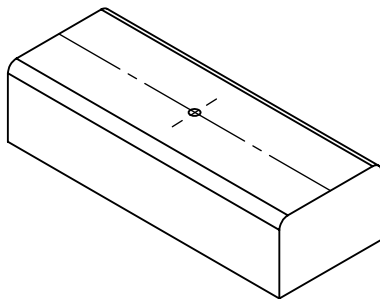
Note: Custom sizes with panel width larger than 72" will receive 4 sets of brackets. Standard sizes with panel width larger than 48" will receive 3 sets of brackets, all smaller sizes will receive 2 sets.

Step 2: Scribe a line along the middle of your partition.

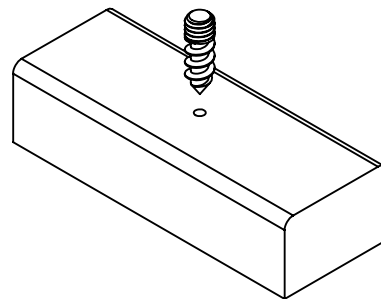
Step 3: Mark positions along the line based on the chart below.

Panel Width	Location 1	Location 2	Location 3
24"	2"	22"	-
29"	2"	27"	-
36"	2"	34"	-
42"	2"	21"	40"
48"	2"	24"	46"
59"	2"	29-1/2"	57"

Step 4: Using an 1/8" drill bit, pre-drill all marked locations along the line.



Step 5: Install the combination screws in the pre-drilled holes using the 1/8" Allen Wrench. Run the screws in sharp side down.

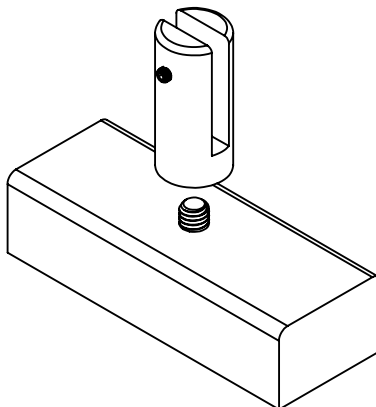


Partition Extender / PEXXXXX-H

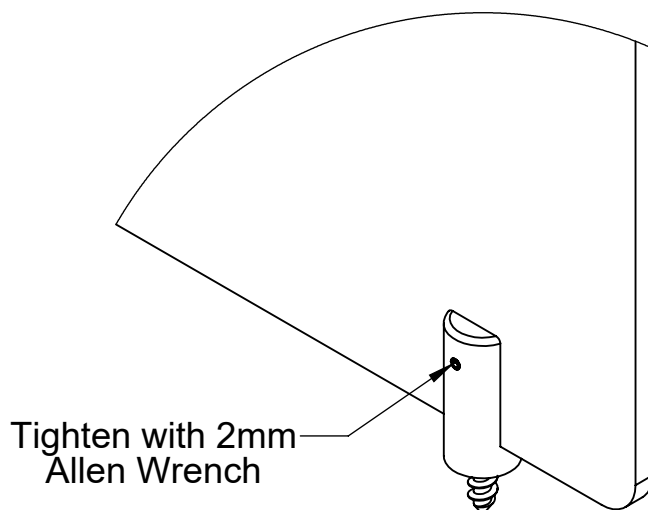
Hardmounted Unit

Installation Instructions

Step 6: Thread the Standoff onto the exposed screw head and align the slot parallel with the marked line.



Step 7: Slide the acrylic panel into the Standoffs. Secure the panel by tightening the set screws in the panel bracket with the provided 2mm Allen wrench.



Step 8: Recycle all packaging in accordance to local regulations.