
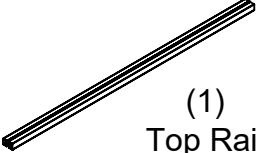
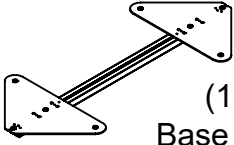

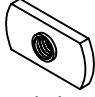


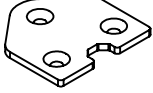
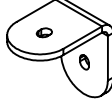
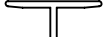


# Floor Partition / MPXXXX

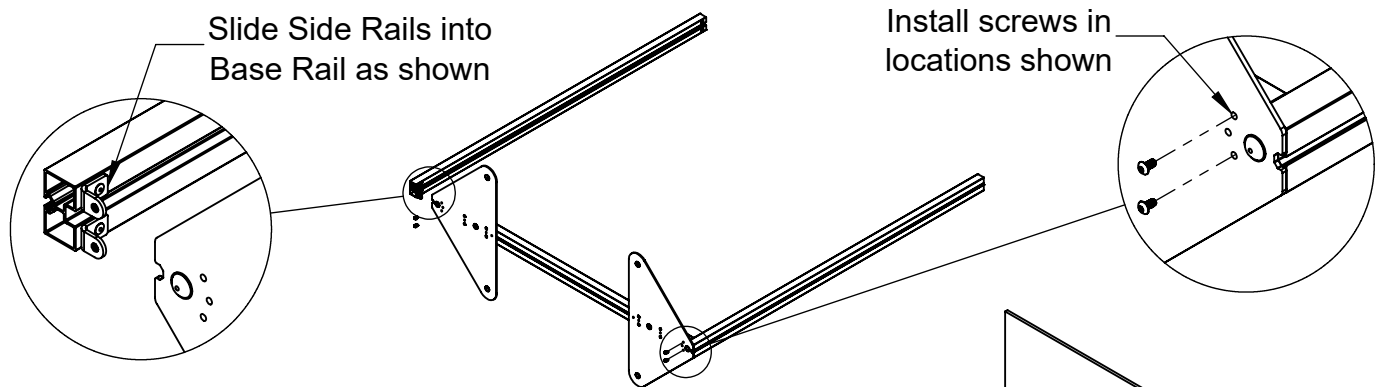
## Installation Instructions



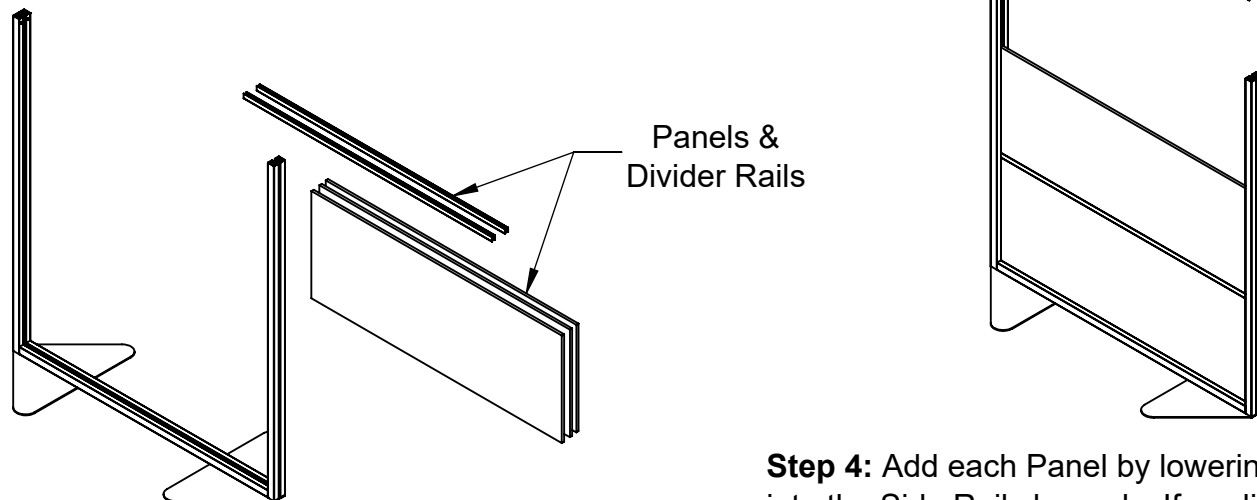
**Step 1:** Remove and unpack the Panels, Rails, and Hardware.

 <p>(2) Side Rail</p>	 <p>(1) Top Rail</p>	 <p>(1) Base Rail</p>	 <p>(14) #10-32 Screw</p>	 <p>(6) Tee Nut</p>	 <p>(1) 1/8" Hex Wrench</p>
 <p>(1 - 3) Panel</p>		 <p>(2) Top Cap</p>	 <p>(2) Angle Connector</p>	 <p>(0 - 2) Divider Rail</p>	

**Step 2:** Place the Side Rails and Base Rail onto a clean tabletop surface. Slide the Side Rails into the Base Rail as shown and connect each side with two Screws.



**Step 3:** Carefully lift the connected Base and Side Rails and place onto the floor. Then gather all Panels and Divider Rails if applicable.

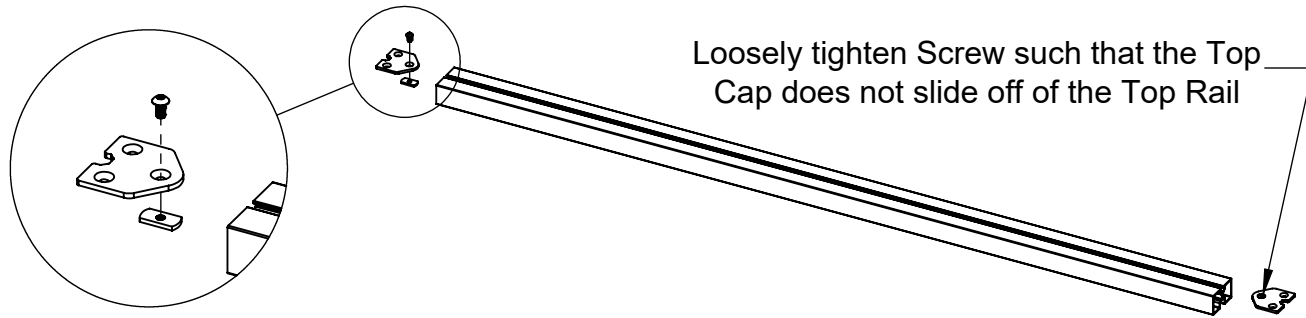


**Step 4:** Add each Panel by lowering from the top into the Side Rail channels. If applicable use the Divider Rails to separate multiple Panels.

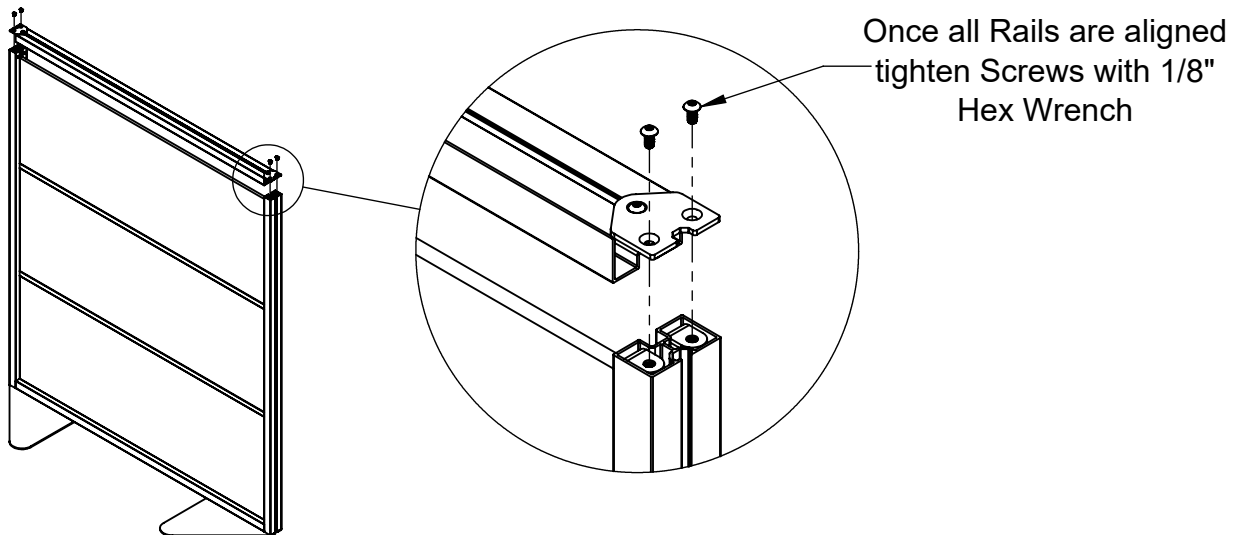
# Floor Partition / MPXXXX

## Installation Instructions

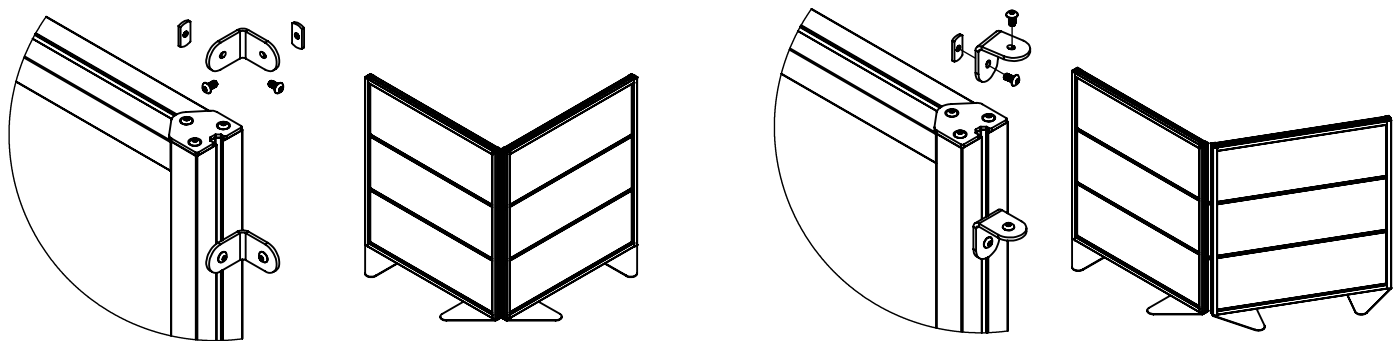
**Step 5:** On each Top Cap loosely fasten one Screw and Tee Nut together as shown. Then slide both assembled Top Caps onto the Top Rail and gently tighten.



**Step 6:** Lower the assembled Top Rail onto the Panels and secure the Top Caps in place with two Screws on each side. To minimize gaps between Rails loosen the Screws installed in Step 5 and pull the frame together before retightening.



**Step 7 (Optional):** Use the Angle Connectors to connect multiple units together. Additional accessory kits are available for flush mount, wall mount, and quad mount configurations.



**Right Angle Connection**

**Free Angle Link**

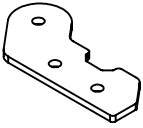
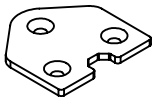
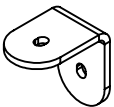
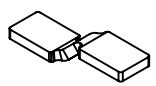
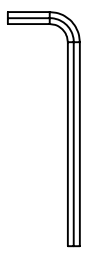
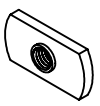

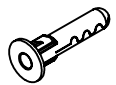
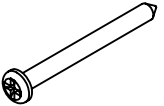
**Step 8:** Recycle all packaging in accordance with local regulations.

# Floor Partition / MP-CONN

## Accessory Connection Installation Instructions

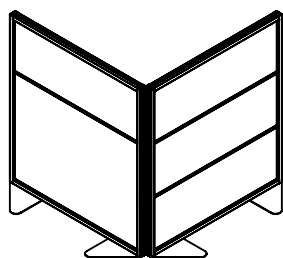


**Step 1:** Remove and unpack all connection Hardware.  
Please note, enclosed hardware depends on accessory kit purchased.

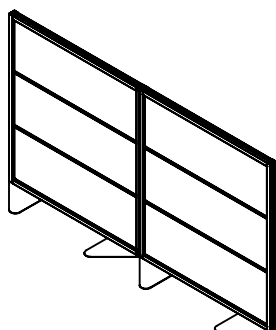
 Flush Mount Cap	 Top Cap	 Angle Connector	 Flush Mount Rail Support	 1/8" Hex Wrench
 Tee Nut	 #10-32 Screw	 Drywall Insert	 #10-16 Screw	

**Step 2:** Choose from the following connection options, then follow the specific instructions for each.

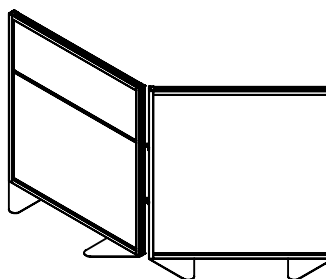
### Four Standard Connection Options



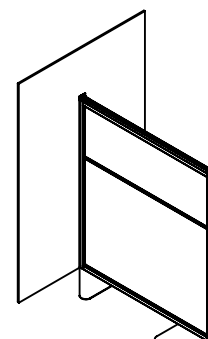
Right Angle Connection



Flush Mount Connection



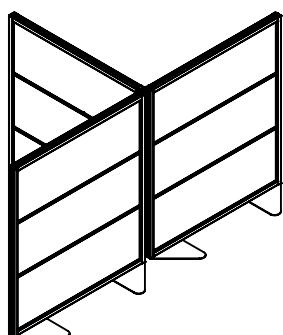
Wide Angle Connection



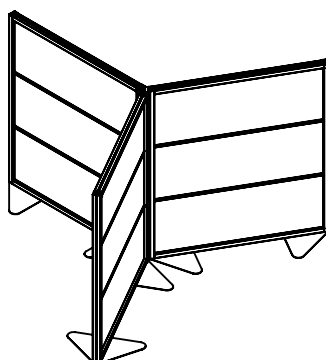
Wall Mount Connection

**Step 3:** Combine connections to make the following arrangements.

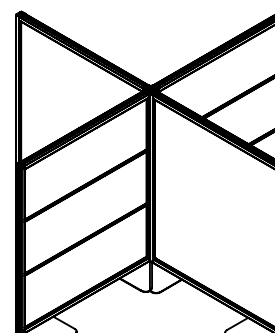
### Three Standard Arrangement Options



Tee Arrangement  
(2 Right Angles)



Tri Arrangement  
(2 Wide Angles)



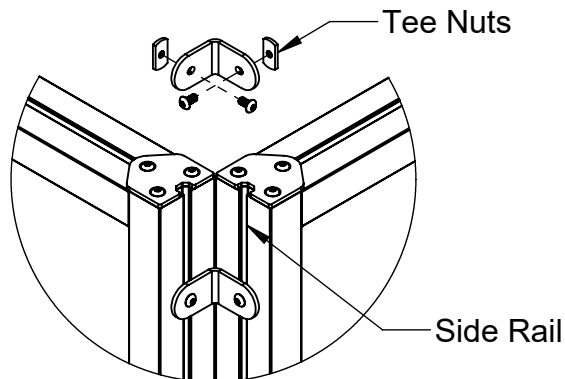
Quad Arrangement  
(2 Right Angles + 1 Wide Angle)

# Floor Partition / MP-CONN

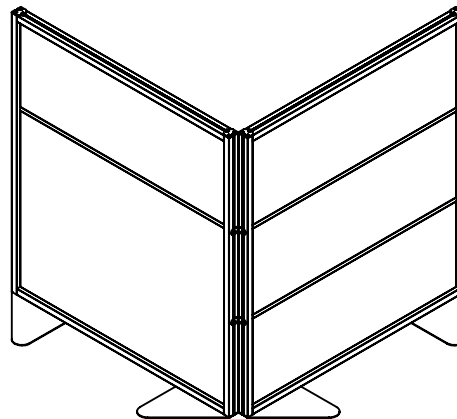
Accessory Connection Installation Instructions

## Right Angle:

- Place two Floor Partition units next to one another as shown.
- Loosely assemble two Angle Connectors using #10-32 Screws and Tee Nuts.
- Slide the Tee Nuts from the top of the unit into the side rails.
- Move the Angle Connectors in line with with dividers (if applicable) and tighten using the 1/8" Hex Wrench.

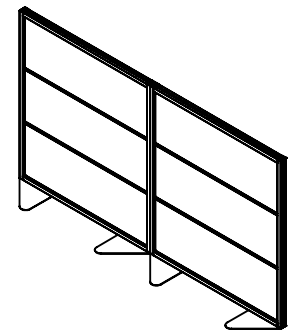


**Right Angle Connection**

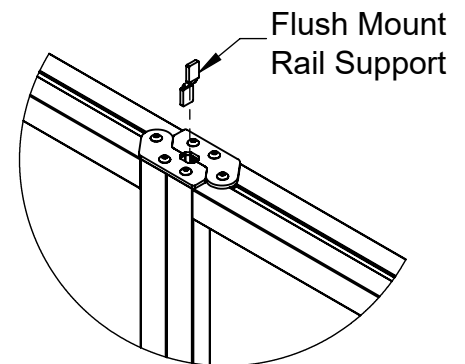
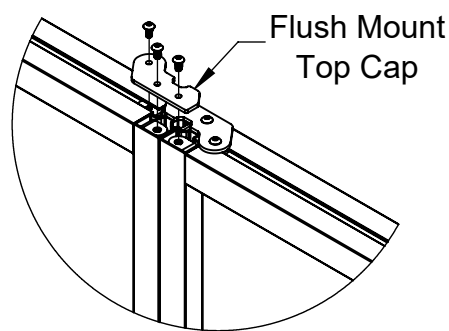
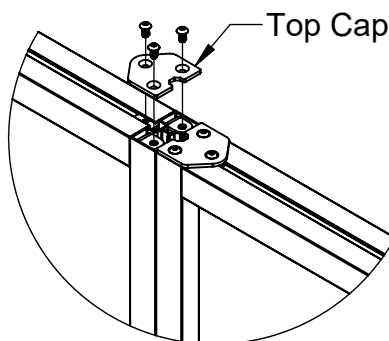


## Flush Mount:

- Remove the Top Caps from two adjacent Floor Partition units.
- Install the Flush Mount Caps beginning with the Tee Nut.
- Tighten all screws using the 1/8" Hex Wrench.
- Insert the Flush Mount Rail Support in the opening between Caps. When installed fully this should drop to the ground level.



To disassemble, remove Flush Mount Caps then lift one unit approximately one inch off the ground to disconnect the Rail Connector.



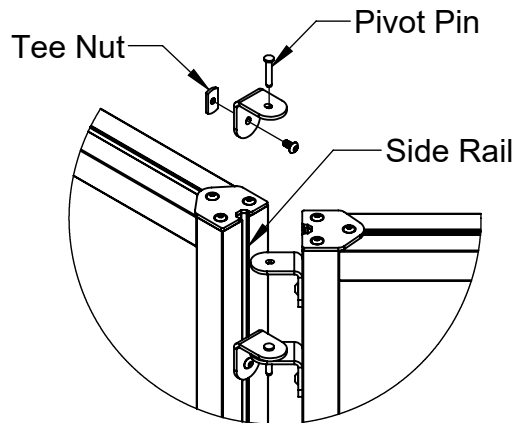
**Flush Mount Connection**

# Floor Partition / MP-CONN

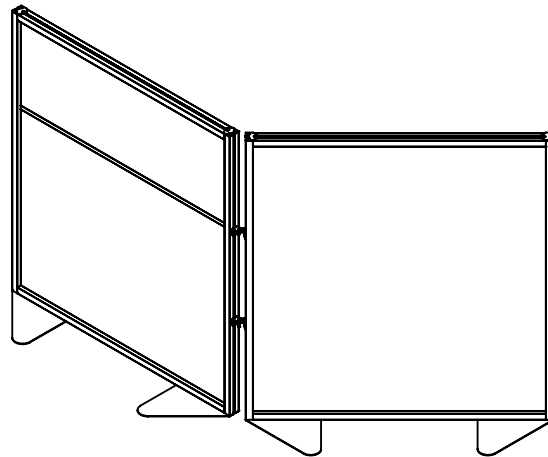
## Accessory Connection Installation Instructions

### Wide Angle:

- Place two Floor Partition units next to one another as shown.
- Loosely assemble Four Angle Connectors using #10-32 Screws and Tee Nuts.
- Slide the Tee Nuts from above the unit into the side rails, stacking upon adjacent connectors.
- Tighten the screws using the 1/8" Hex Wrench.
- Add a Pivot Pin or #10-32 Screw between Angle Connectors and position as desired.

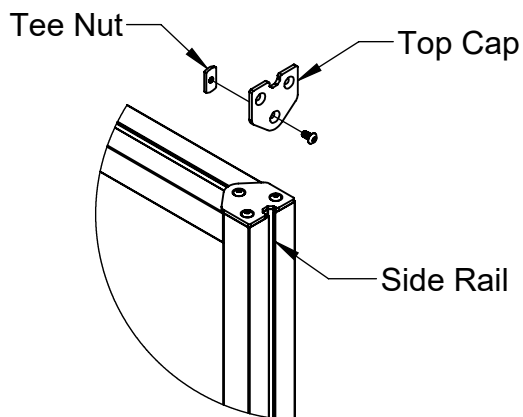


**Wide Angle Connection**

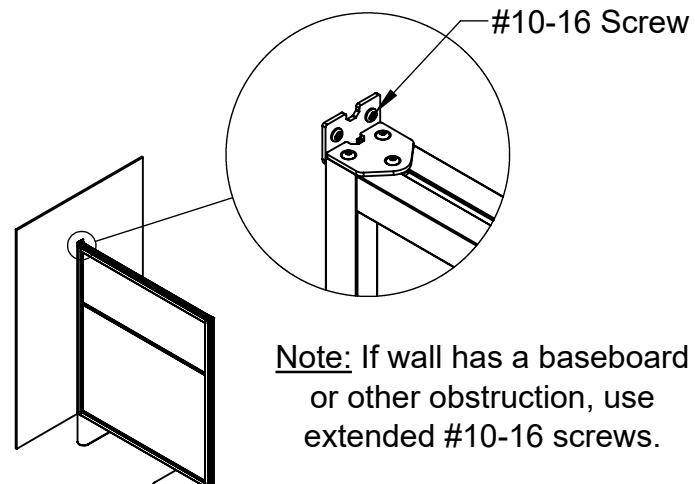


### Wall Mount:

- Loosely assemble one Top Cap using one #10-32 Screw and Tee Nut as shown.
- Slide the Top Cap into the side rails, ensure the open holes are accessible.
- Tighten the screws using the 1/8" Hex Wrench.
- Move the Floor Partition Unit to a wall, mark the open hole locations.
- (If necessary) Drill and add Drywall Inserts to the wall at marked locations.
- Use #10-16 Screws to secure Floor Partition to the wall at marked locations.



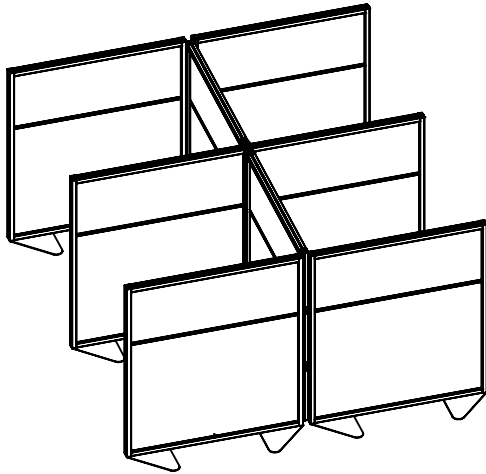
**Wall Mount Connection**



# Floor Partition / MP-CONN

Accessory Connection Installation Instructions

**Step 4:** Follow Recipes for more purpose built constructions.

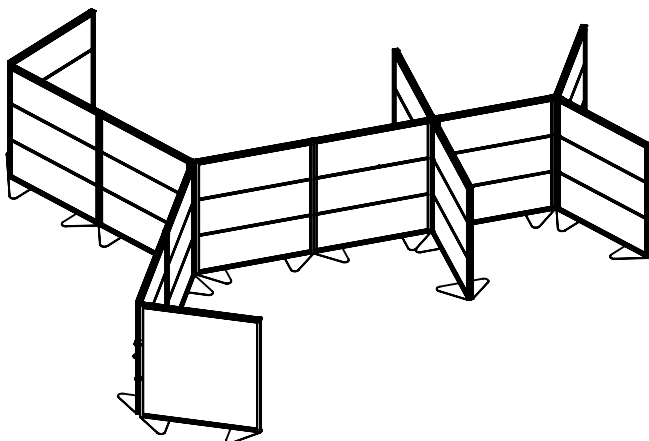
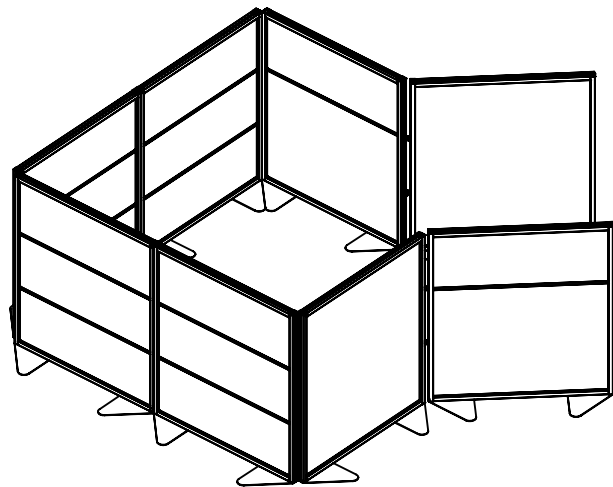


### Cubicle Layout Recipe:

- (1) Quad Arrangement
- (4) Right Angle Connections

### Meeting Layout:

- (3) Right Angle Connections
- (2) Flush Mount Connections
- (2) Wide Angle Connections



### Office Layout Recipe:

- (2) Tri Arrangements
- (3) Flush Mount Connections
- (4) Right Angle Connections

**Step 5:** Recycle all packaging in accordance with local regulations.