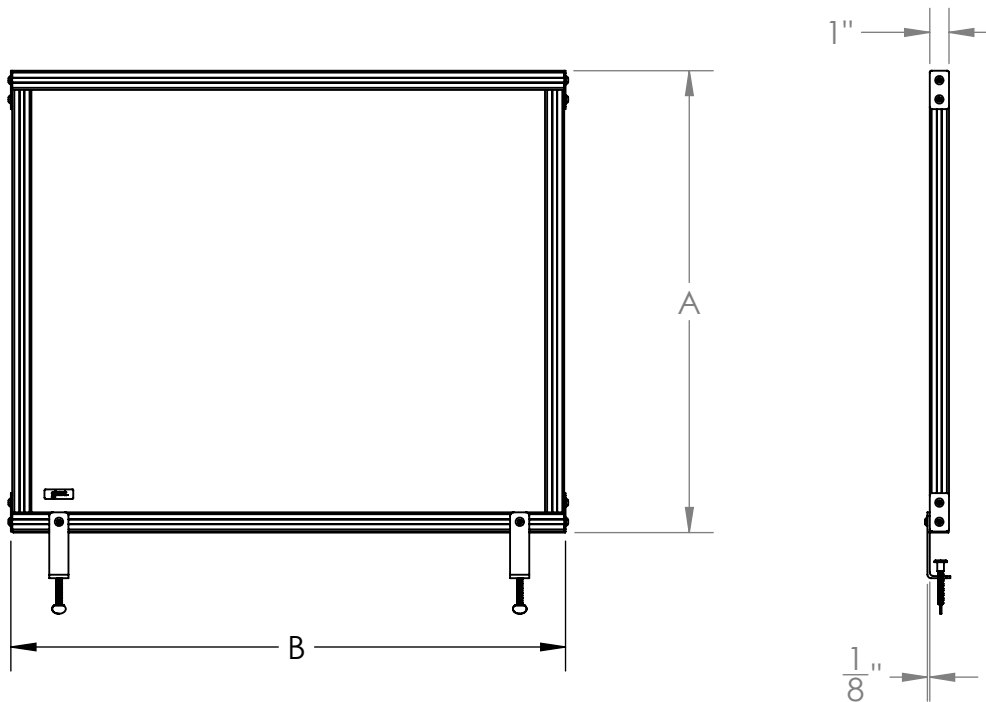


Desktop Protective Screen/DPSX-XA w/ Mounting Brackets

Product Specifications



Materials:

- Panel Surface: Clear thermoplastic, frosted thermoplastic or clear glass.
- Frame: Satin anodized aluminum.

Features:

- Clamps adjust from 3/4" to 1-1/2" to accommodate table top thickness.
- Protective padding is provided on the bottom of the frame to prevent marring the tabletop surface.
- Warranty: 10 Years (Glass)
1 Year (Acrylic)

Notes:

- Ships assembled, customer only to attach clamp brackets, wrench provided.

Part Number	Panel Material	Panel Finish	A	B	Weight
DPSC2429-A	Acrylic	Clear	24"	29"	9 lbs.
DPSC2459-A	Acrylic	Clear	24"	59"	14 lbs.
DPSF2429-A	Acrylic	Frosted	24"	29"	9 lbs.
DPSF2459-A	Acrylic	Frosted	24"	59"	14 lbs.
DPSC2429-GA	Glass	Clear	24"	29"	11.5 lbs.
DPSC2459-GA	Glass	Clear	24"	59"	22 lbs.